

Astor Shower Trolley



Product Specification Sheet:



Highlights:

- 200kg SWL
- Lockable fold down side rails
- Fixed head and foot rails
- Waterproof mattress with drain hole & hose
- 4 twin lockable castors
- Rechargeable battery
- Handset control or via end panel

The **Astor Shower Trolley** is a perfect choice for showering and changing in wet room environments. It has a single actuator lifting system to ensure a smooth and quiet height adjustment to enable safe transfers and appropriate carer working heights.

The four twin lockable castors create a smooth ride and lock for safety. Another key safety feature is the lockable side rail - with a double lock mechanism for added safety.

The mattress is waterproof and anti-microbial coated for added hygiene, and has a drain hole and hose to enable waste water from showering to be easily directed into a nearby drain or toilet.



smooth transfer and showering comfort



STANDARD FEATURES

- SWL 200kg
- Height adjustable range 530mm - 860mm
- Handset operation
- Rechargeable battery powered
- Lockable fold down side rails
- Fixed head and foot rails
- 4 twin wheel lockable castors
- Rust free components
- Waterproof shower mattress with raised sides
- Integral drain hole and hose

Model Name:	Astor Shower Trolley
Product Description	Height adjustable showering and changing trolley
Height Range	530mm - 960mm
Mattress Size	1800mm x 635mm (Trolley width: 787mm)

Features:

- Height
- Rechargeable battery
- SWL 200kg** 200kg SWL
- Lockable castors x4
- Lockable side rail
- 3 Year Warranty** 3 Year

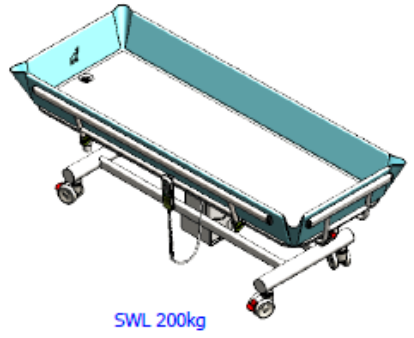
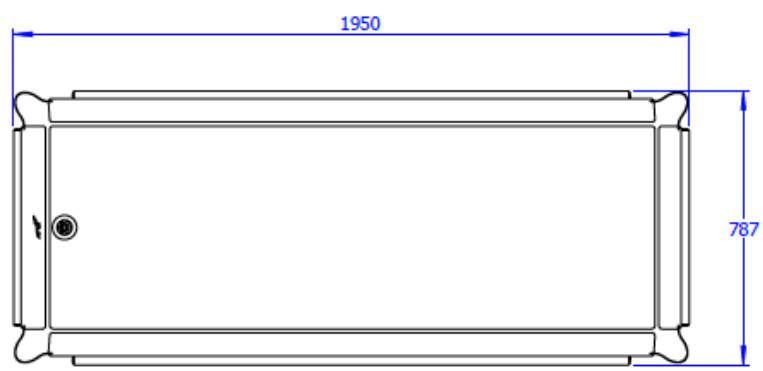
Options:

- Service

Application:

- Changing Places
- School
- Leisure Centre
- Care Home
- Nursing Home
- Respite Home
- Hospital
- Private Home

Technical Drawings:



All dimensions in mm:

